

F900 SERIES



E9881 Bratt Pan

Spares Information



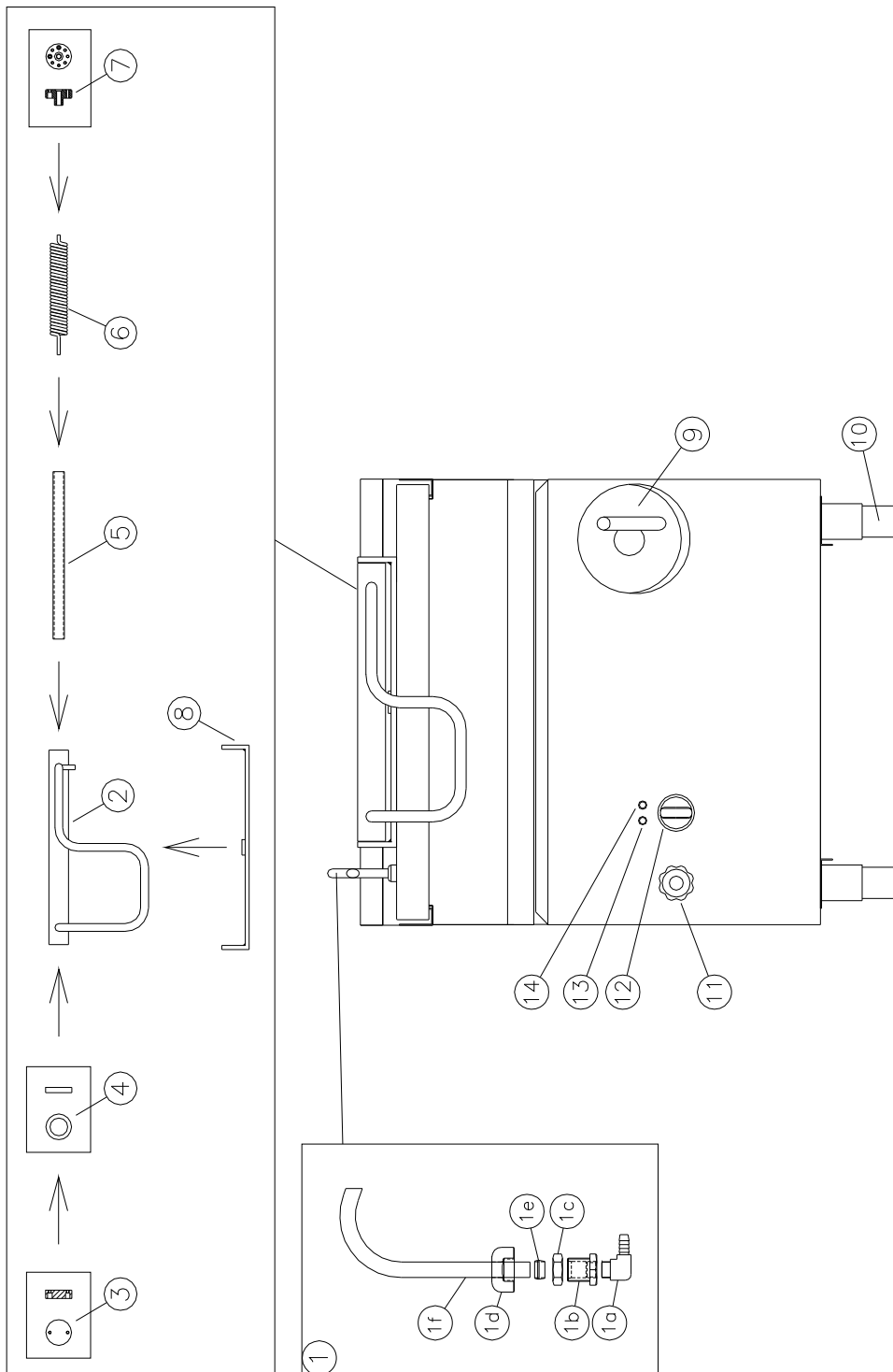
E9881-Spares-0416

Falcon Foodservice Equipment

Wallace View, Hillfoots Road, Stirling FK9 5PY t: +44 (0) 1786 455 200 f: 08000 275 595
info@falconfoodservice.com www.falconfoodservice.com

E9881 Bratt Pan

Fitments





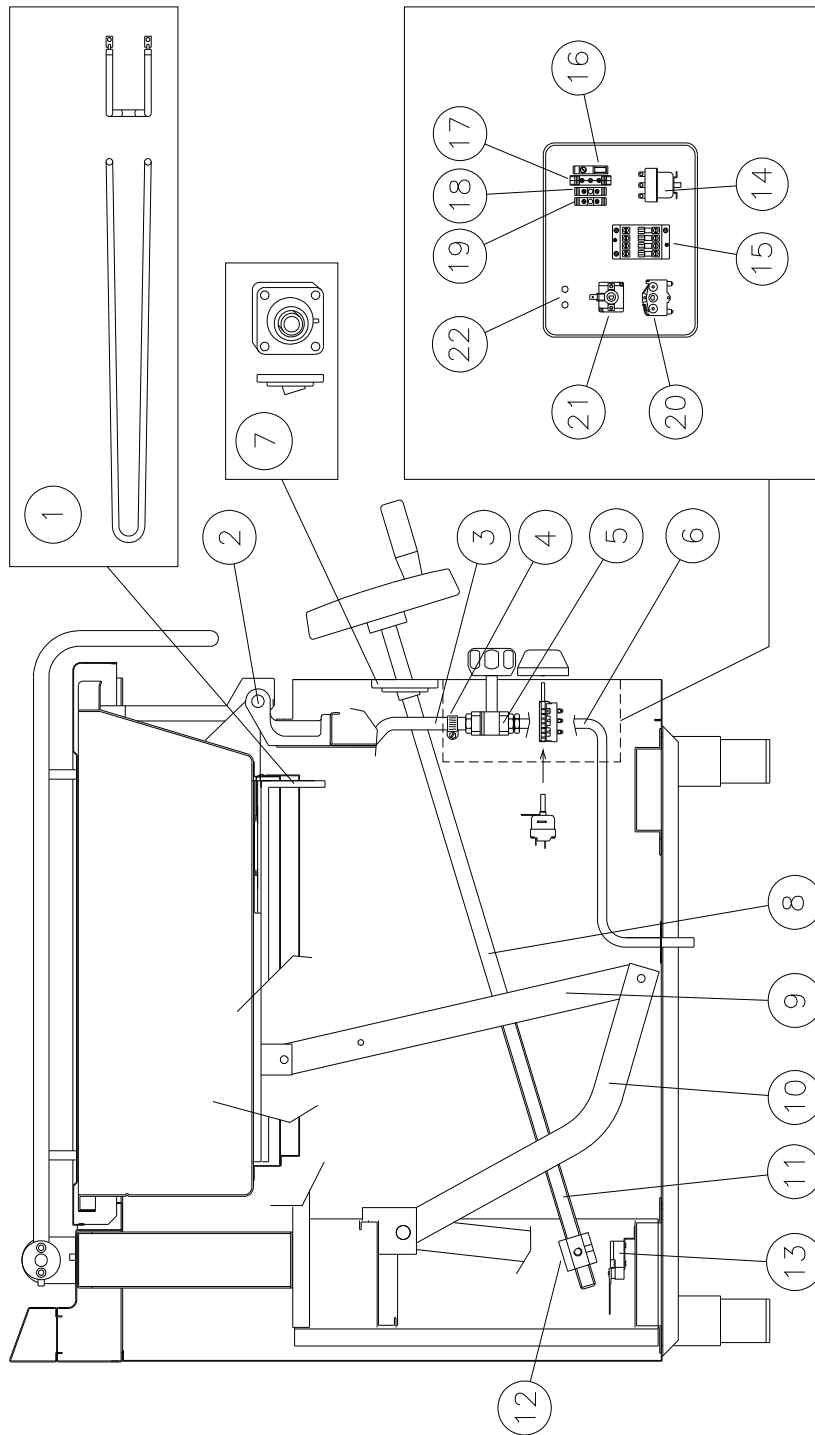
Fitments

Item	Description	Spares No.	Part No.
1.	Water inlet pipe	F900-GRP04-0110	GRP04-0110
1a.			
1b.			
1c.			
1d.			
1e.			
1f.			
2.	Handle	F900-SMB0608-00	SMB0608-00
3.	Hinge head	F900-SMB0612-00	SMB0612-00
4.	Shave ring for hinge	F900-SMB0618-00	SMB0618-00
5.	Pin pipe spring hinge	F900-SMB0614-00	SMB0614-00
6.	Hinge spring	F900-SMB0616-00	SMB0616-00
7.	Hinge head (RH)	F900-SMB0610-00	SMB0610-00
8.	Hinge support	F900-SMB0606-00	SMB0606-00
9.	Handwheel	F900-SMB0636-00	SMB0636-00
10.	Adjustable foot (stainless steel)	F900-20100020	20100020
11.	Water inlet tap	F900-30200008	30200008
12.	Control		
13.	Orange neon	F900-40200186	40200186
14.	Green neon	F900-40200188	40200188

F900 SERIES

E9881 Bratt Pan

Controls





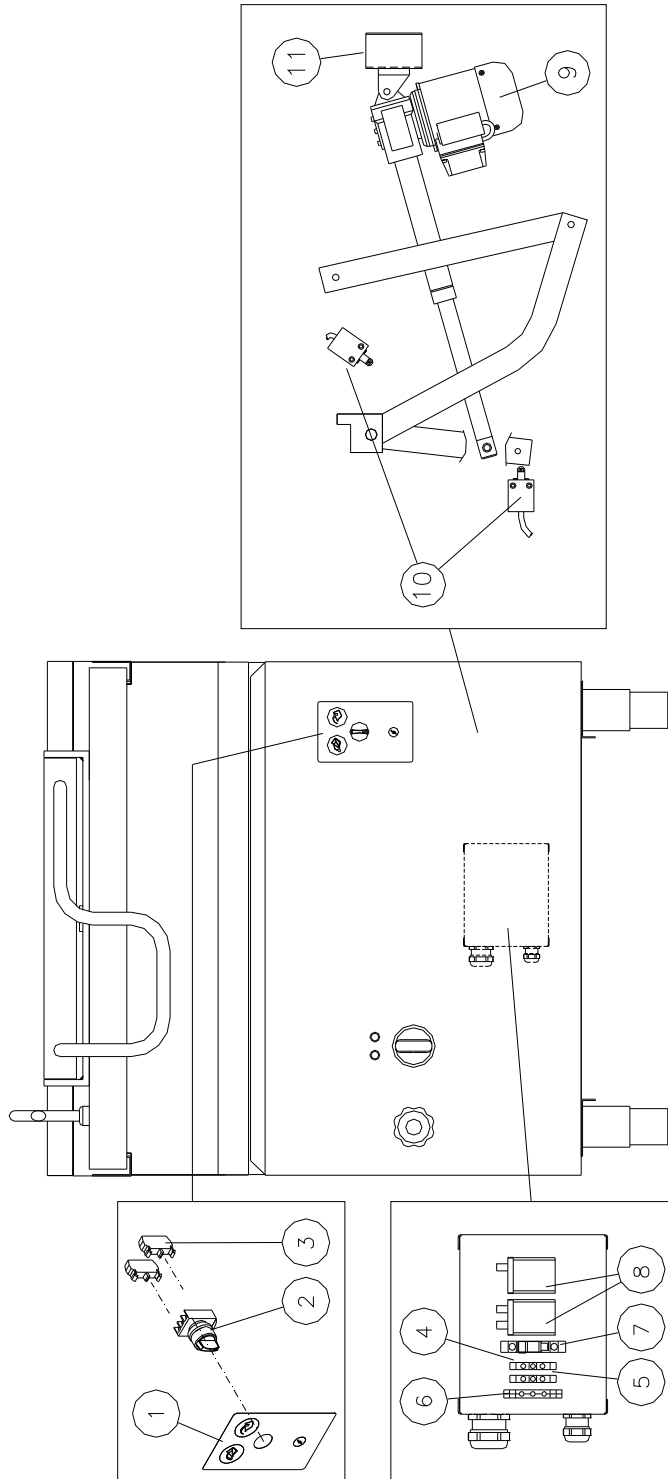
Controls

Item	Description	Spares No.	Part No.
1.	Heating element (1.65kW / 230V)	F900-40400084	40400084
2.	Hinge pin	F900-SMB0634-00	SMB0634-00
3.	Water inlet pipe	F900-10600022	10600022
4.	Clip	F900-10300033	10300033
5.	Water inlet tap	F900-30200008	30200008
6.	Water inlet pipe	F900-SMB0066-00	SMB0066-00
7.	Bearing	F900-20400012	20400012
8.	Extension for screw	F900-SMB0630-00	SMB0630-00
9.	Tilt lever	F900-SMB0624-00	SMB0624-00
10.	Tilt arm	F900-SMB0620-00	SMB0620-00
11.	Pan tilting screw	F900-SMB0129-00	SMB0129-00
12.	Female screw	F900-SC0022-00	SC0022-00
13.	Limit switch	F900-40100001	40100001
14.	Safety thermostat	F900-40100062	40100062
15.	Electromagnetic switch	F900-40100023	40100023
16.	Fuse 5 x 20 3, 15A	F900-40200084	40200084
17.	Three pole holdfast	F900-40200010	40200010
18.	Unipolar holdfast	F900-40200020	40200020
19.	Unipolar holdfast	F900-40200030	40200030
20.	Changeover switch	F900-40100027	40100027
21.	Thermostat	F900-40100042	40100042
22.	Neon		

F900 SERIES

E9881 Bratt Pan

Fitments





Fitments

Item	Description	Spares No.	Part No.
1.	Control	F900-40700294	40700294
2.	Switch	F900-40100026	40100026
3.	Contactor block	F900-40100112	40100112
4.	Terminal block 1	F900-40200024	40200024
5.	Terminal block 2	F900-40200022	40200022
6.	Terminal block 3	F900-40200032	40200032
7.	Fuse	F900-40200084	40200084
8.	Relay	F900-40100030	40100030
9.	Actuator	F900-40300122	40300122
10.	Limit switch	F900-40100028	40100028
11.	Actuator bracket	F900-SMB1048-00	SMB1048-00